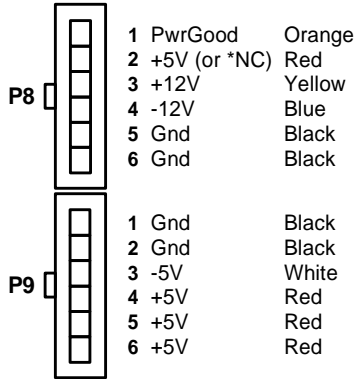


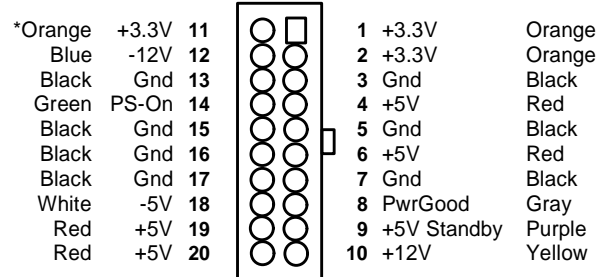
# Power Supply Pinouts

## AT Power Supply Connectors



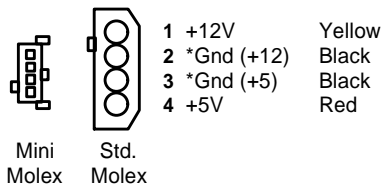
\* On PC/XTs, this pin is keyed (no connect).

## ATX Power Supply Connector



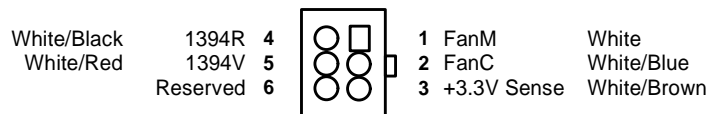
\* Can also be Brown, indicating +3.3V Sense Feedback.

## 4-Pin Power Connector

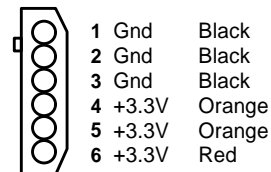


\* In actual practice, the +12 and +5 Gnd lines are combined at the power supply.

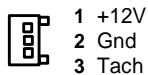
## ATX/NLX Optional Power Connector



## ATX/NLX Auxiliary Power Connector



## Fan Connector



Copyright (c) 1996 David D. Scribner